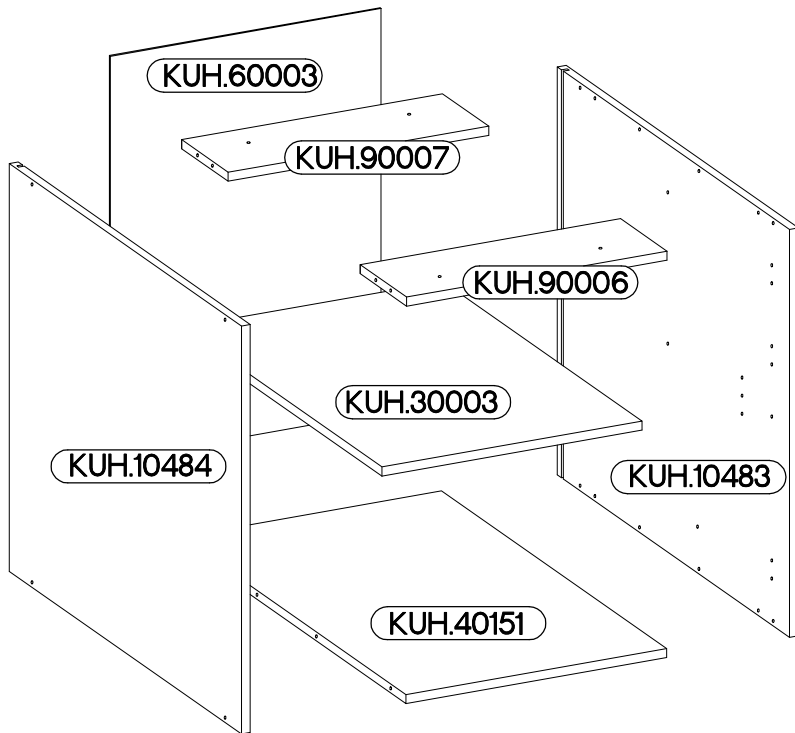
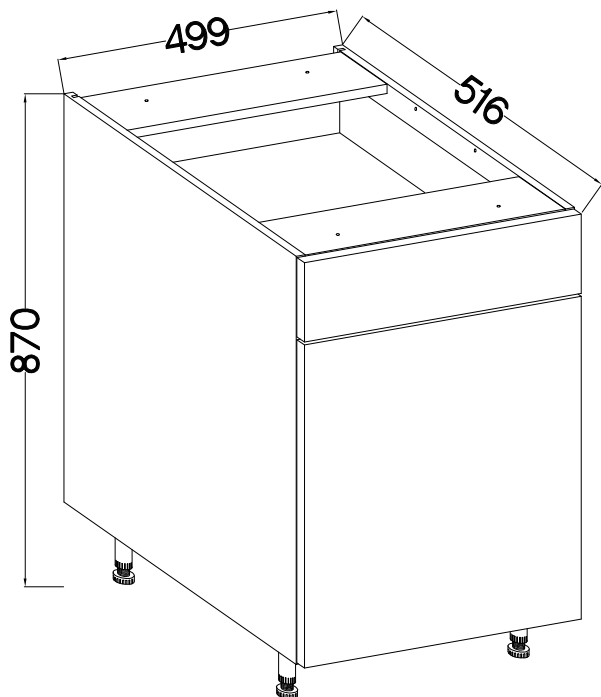
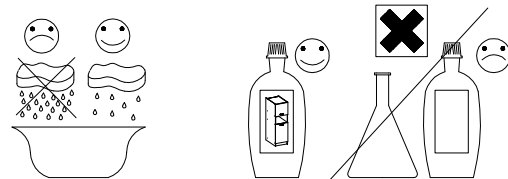
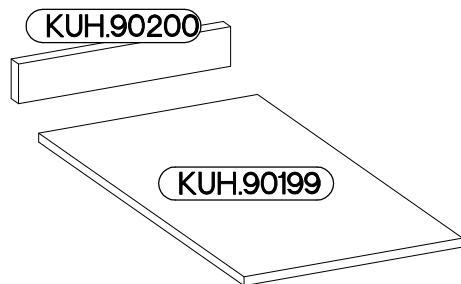


50 D 1F 1S BB



| Ersatzteil Nummer | Dimension   |
|-------------------|-------------|
| KUH.10483         | 720x500x16  |
| KUH.10484         | 720x500x16  |
| KUH.30003         | 466x430x16  |
| KUH.40151         | 467x485x16  |
| KUH.60003         | 713x485x2,5 |
| KUH.90006         | 467x100x16  |
| KUH.90007         | 467x100x16  |
| KUH.90199         | 442x392x16  |
| KUH.90200         | 380x70x16   |



|           |            |            |            |            |            |           |
|-----------|------------|------------|------------|------------|------------|-----------|
| <b>A</b>  | <b>B</b>   | <b>E1</b>  | <b>F16</b> | <b>F15</b> |            |           |
| 8         | 8          | 8          | 2          | 4          |            |           |
| <b>HG</b> | <b>J</b>   | <b>M3</b>  | <b>O</b>   | <b>P1</b>  | <b>P5</b>  | <b>P7</b> |
| 2         | 4          | 4          | 1          | 8          | 32         | 8-10      |
| <b>R3</b> | <b>11A</b> | <b>11C</b> | <b>11D</b> | <b>11E</b> | <b>11G</b> |           |
| 4         | 1          | 1          | 1          | 2          | 2          |           |



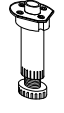

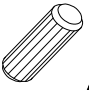
KUH.90199

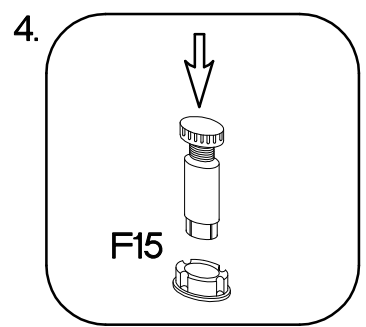
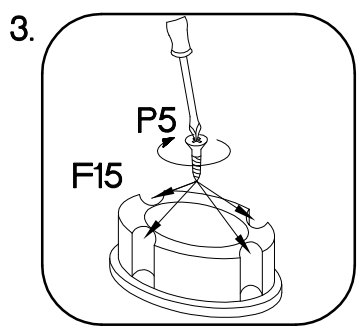
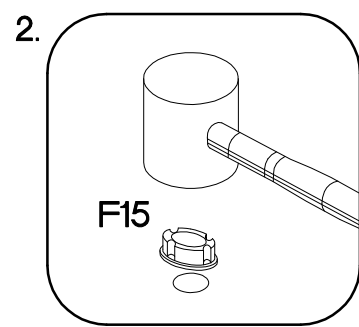
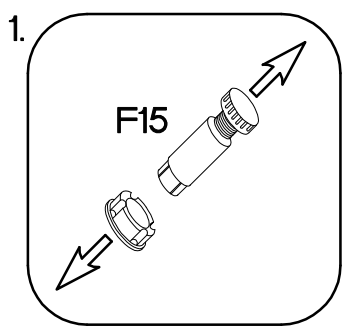
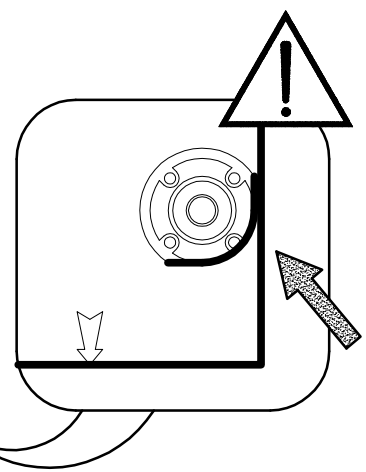
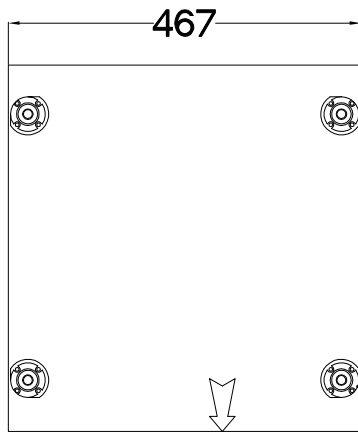
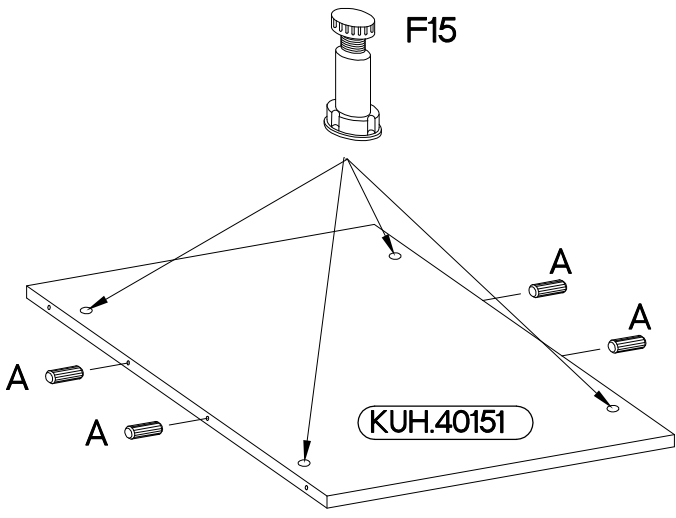
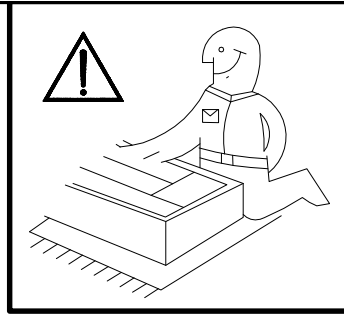


KUH.30003  
KUH.40151

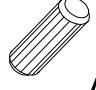
ISM-KUH-01809

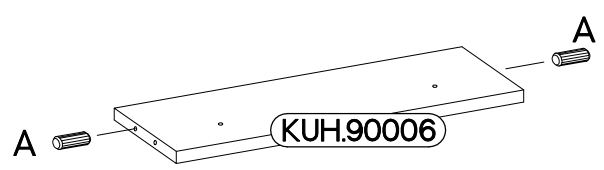
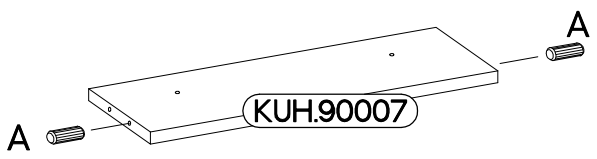
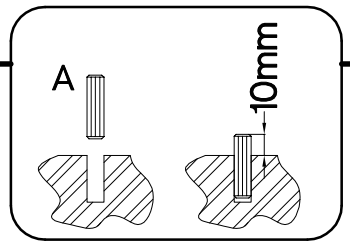
1

|   |   |   |
|---|---|---|
| L=135-170cm<br><br>F15<br>4 | +3.5x13mm<br><br>P5<br>16 | +8x30mm<br><br>A<br>4 |
|---|---|---|


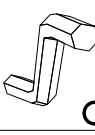
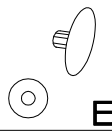


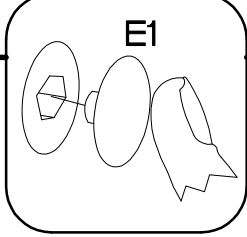
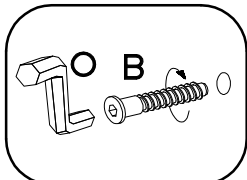
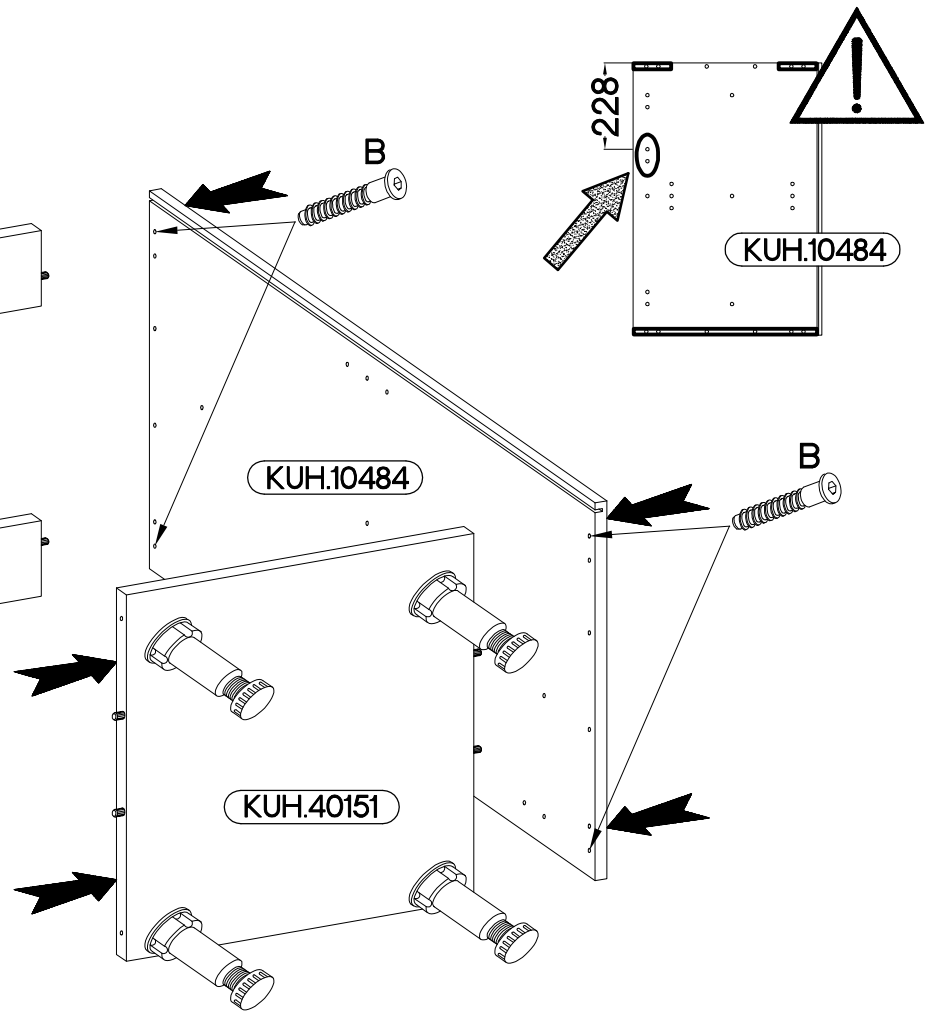
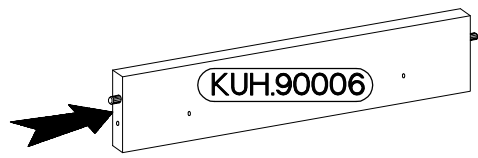
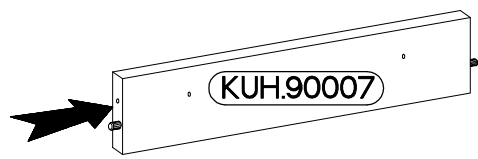
2

|  |
|--|
| +8x30mm<br><br>A<br>4 |
|--|

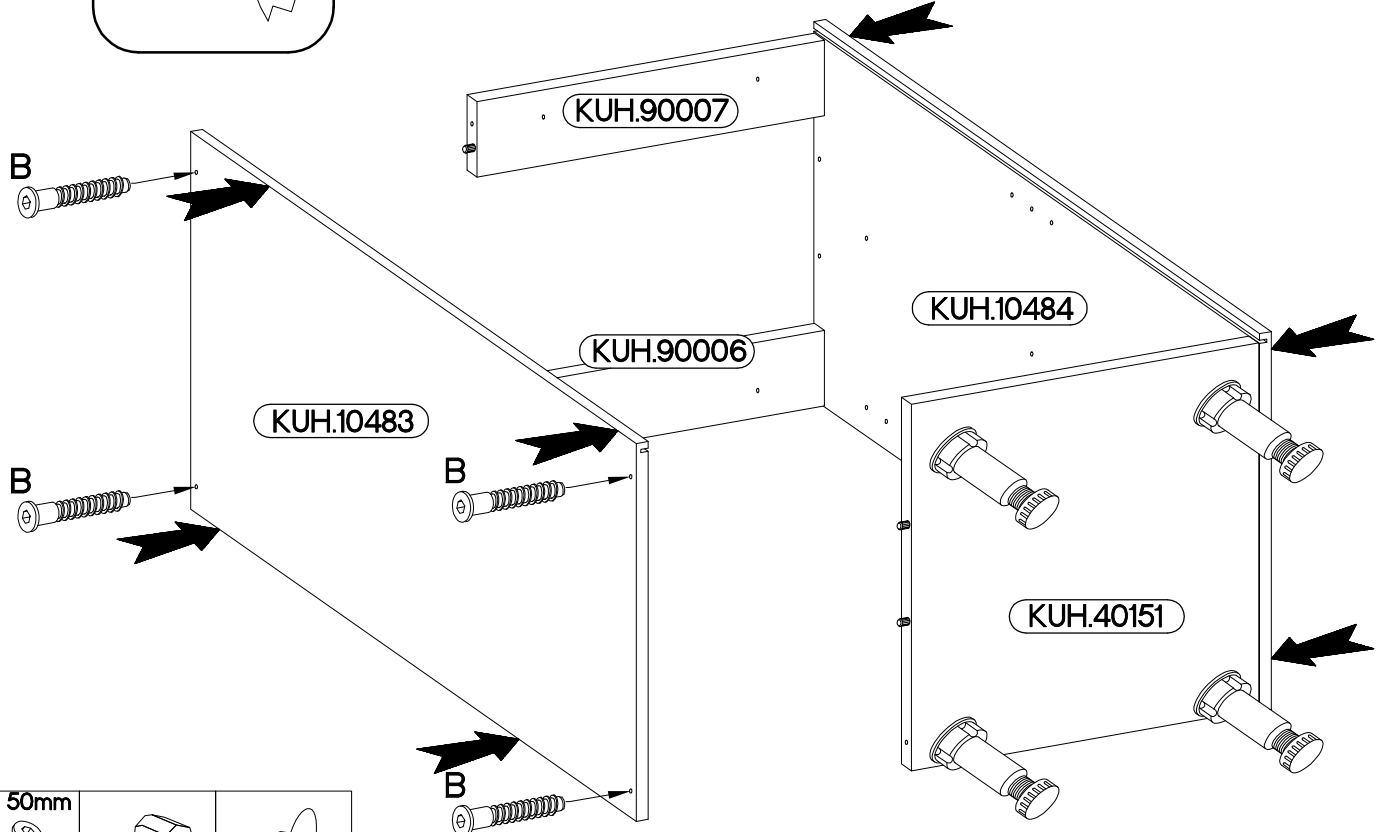


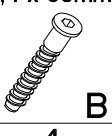
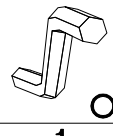
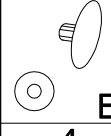
3

|  |  |  |
|--|--|--|
| 6,4 x 50mm   |  |  |
|  |  |  |
| B  | O  | E1   |
| 4  | 1  | 4  |

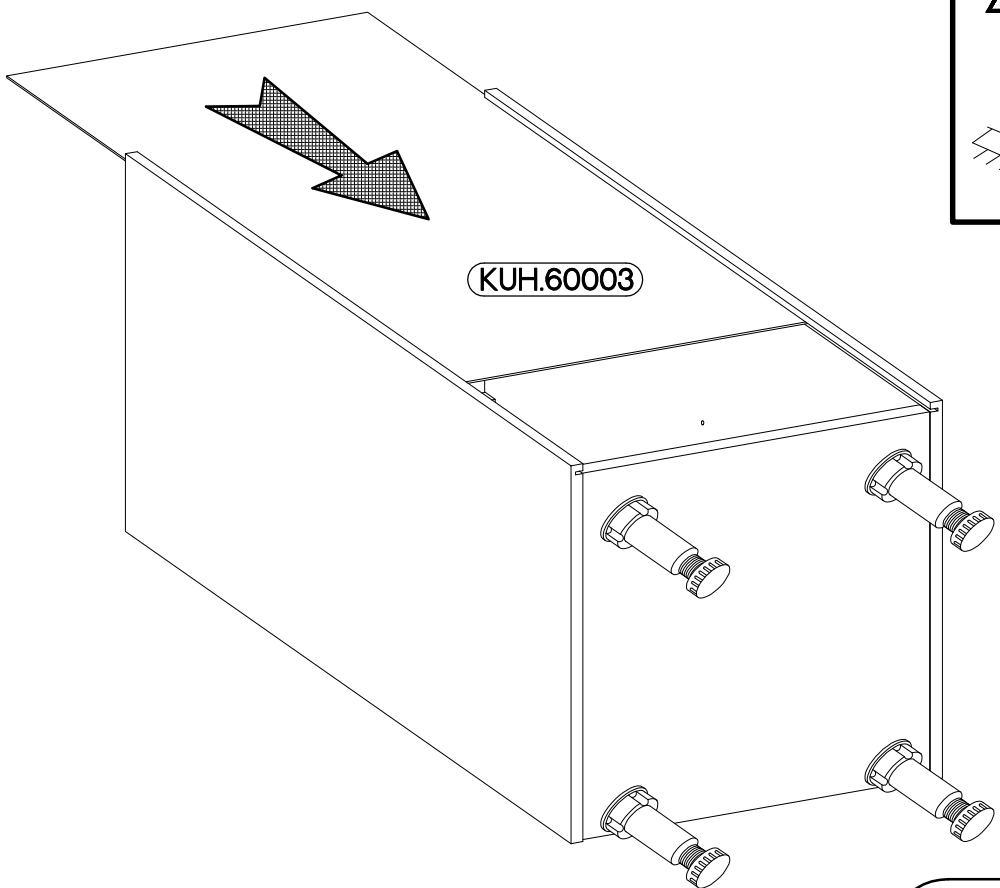
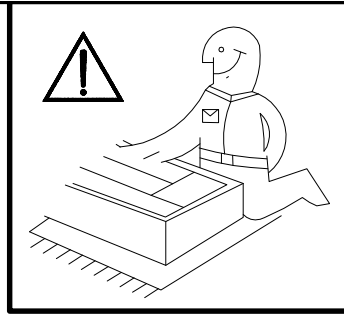


4

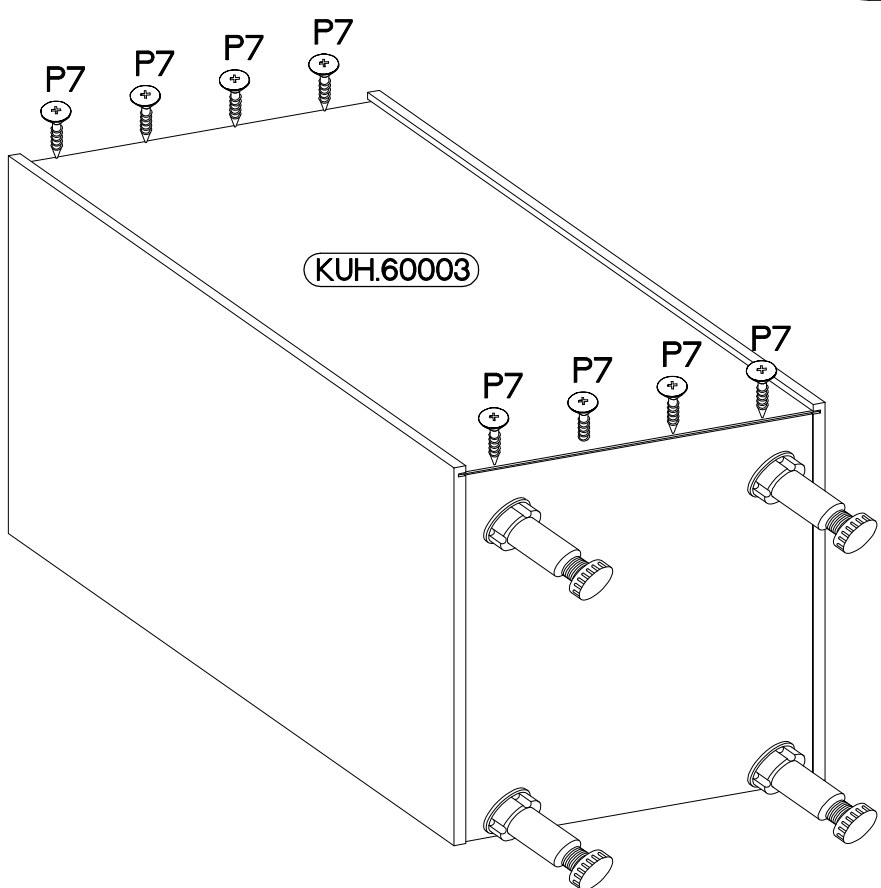
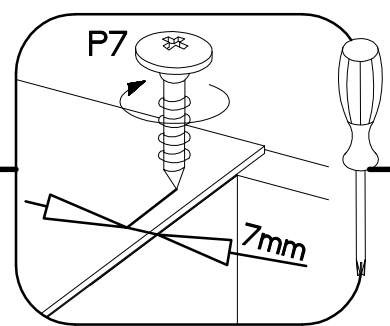
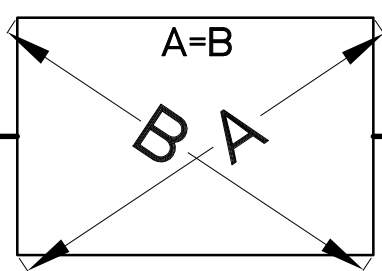
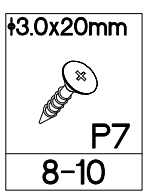





|  |   |   |
|--|---|---|
| 6,4 x 50mm   |   |   |
|  |  |  |
| B  | O   | E1  |
| 4  | 1   | 4   |

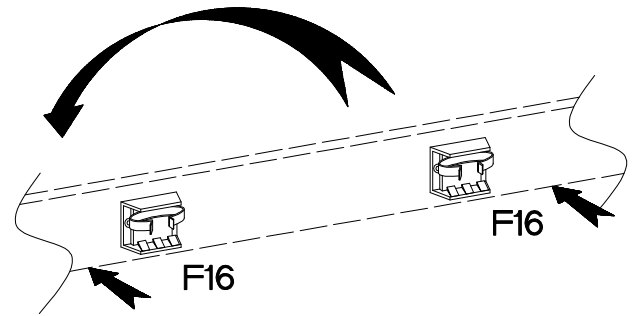
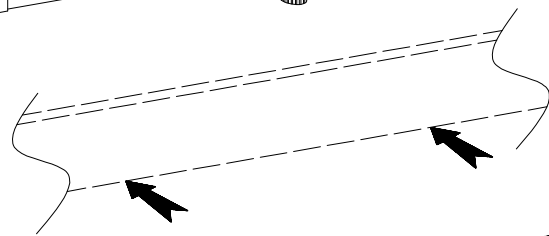
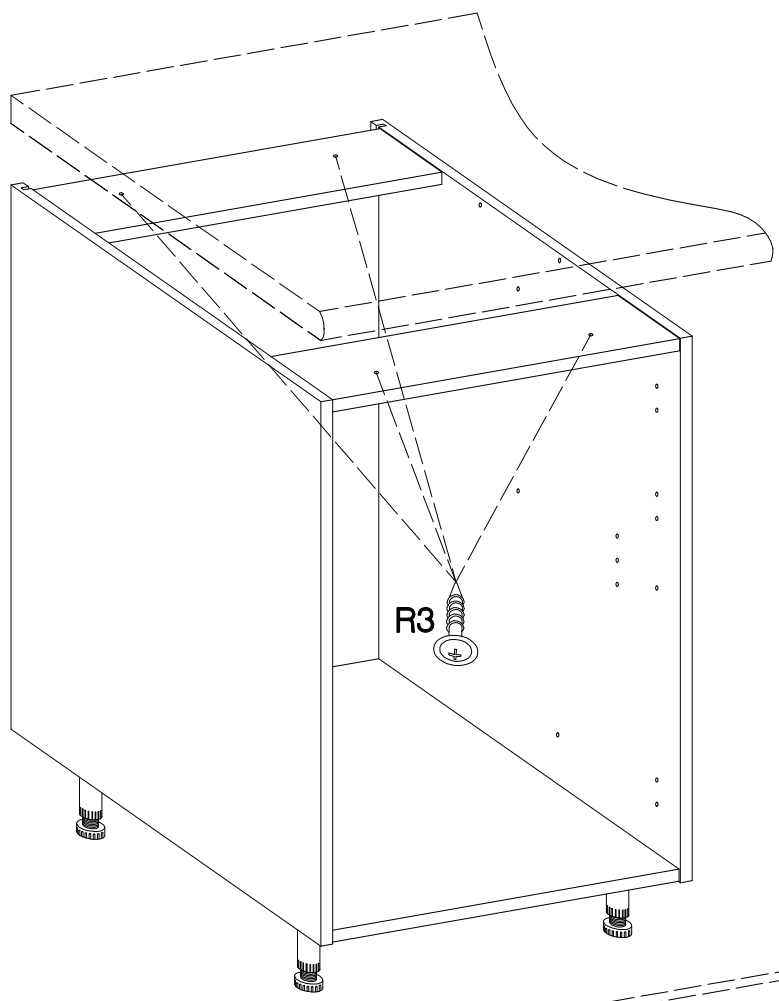
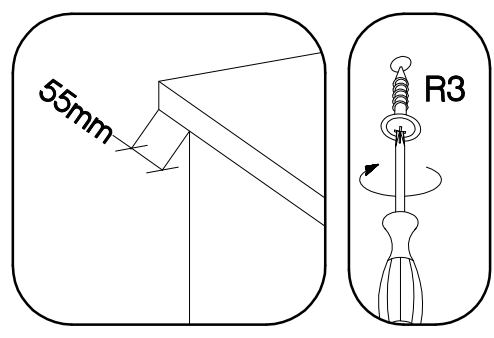
5

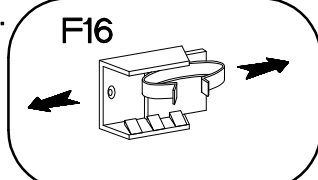


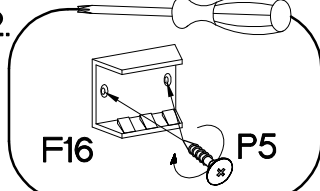
6

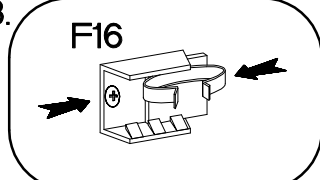


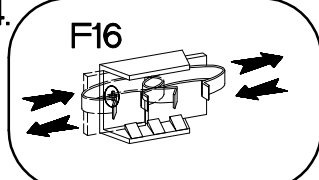
|  |  |  |
|--|--|--|
| 4.0x35mm   |  | 3.5x13mm   |
|  | <b>R3</b>  |  |
| <b>4</b>   | <b>F16</b>   | <b>4</b>   |



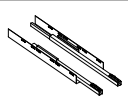


- 

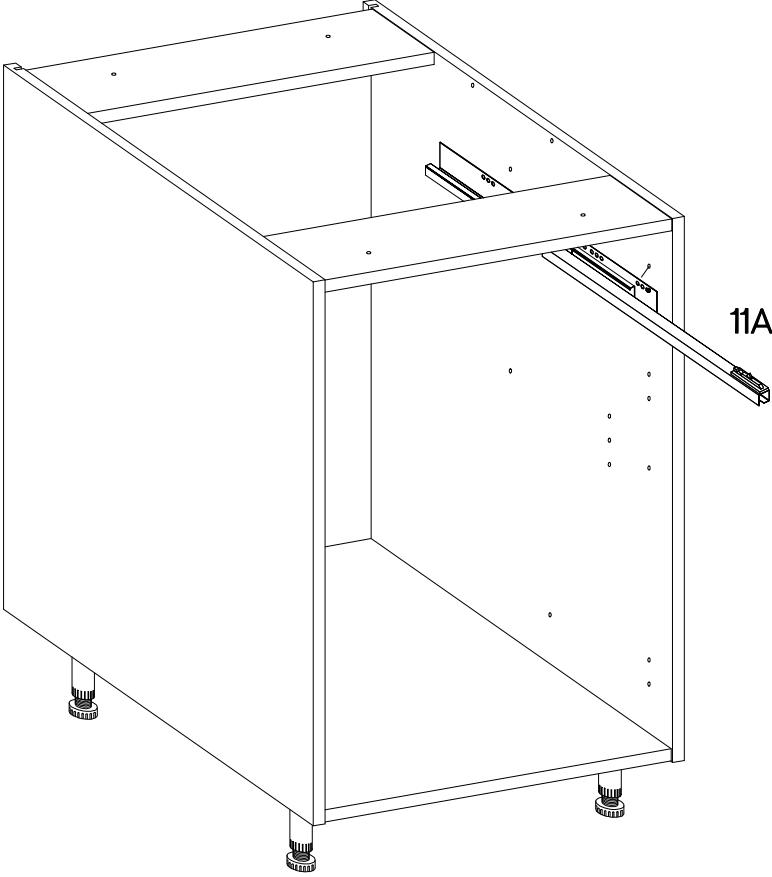
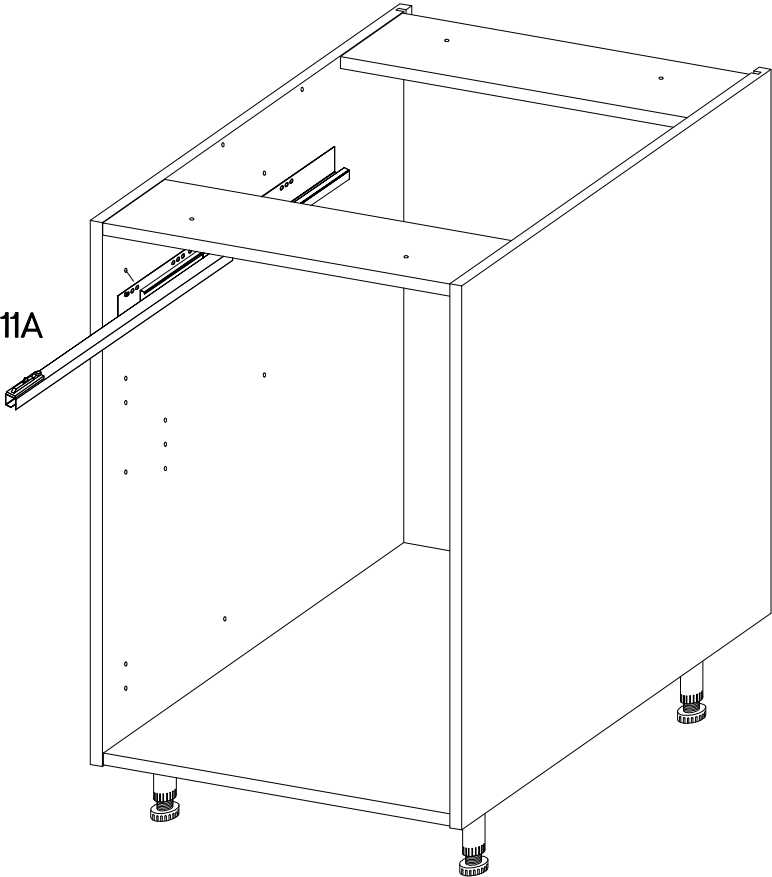
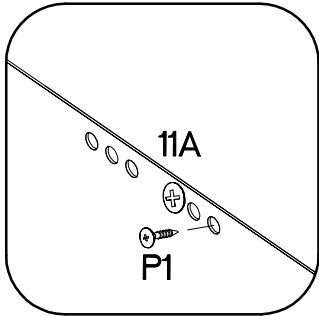
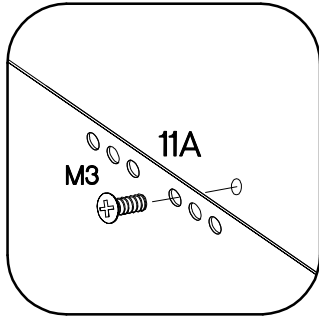
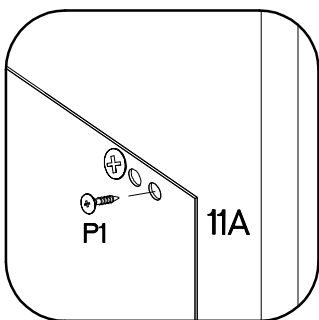
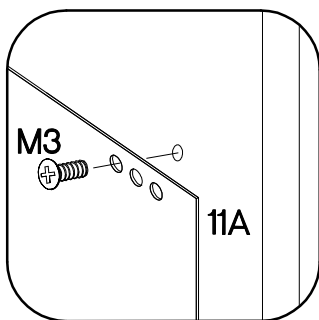
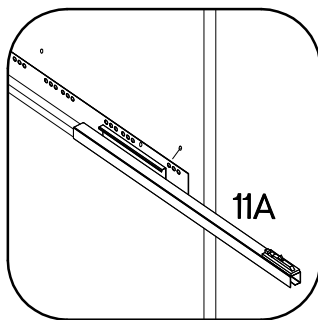
1. F16
- 

2. F16 P5
- 

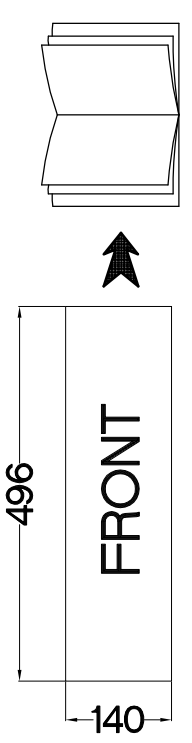
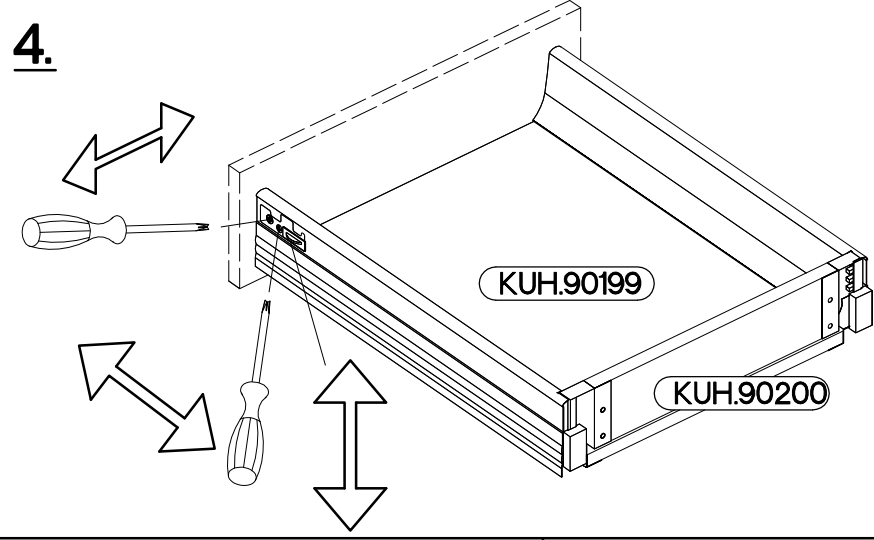
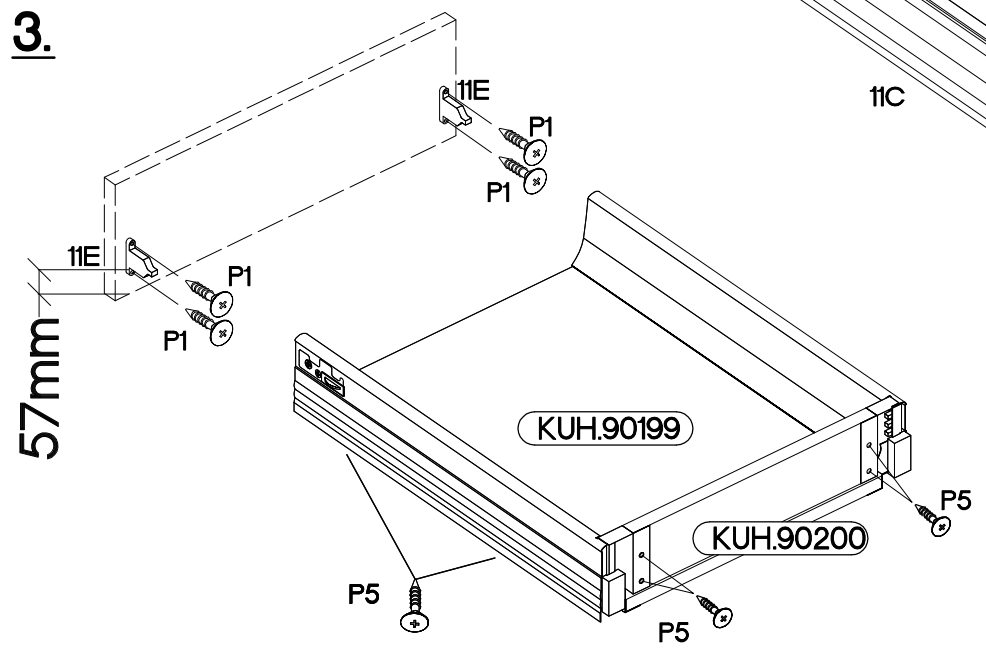
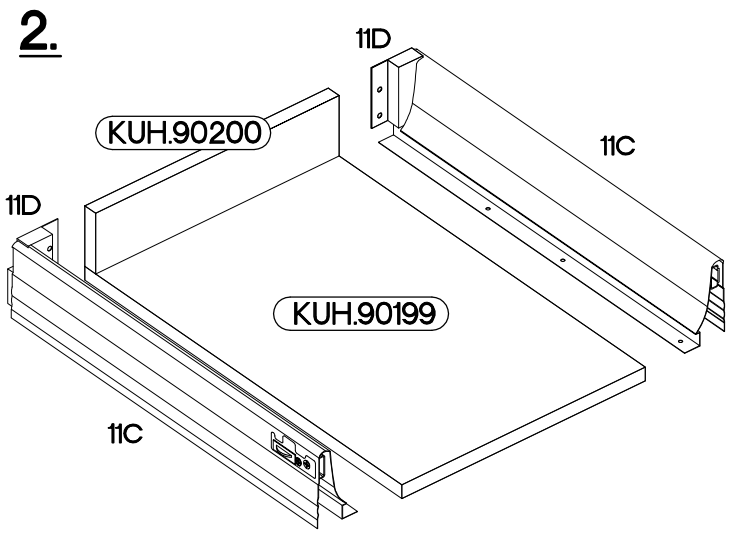
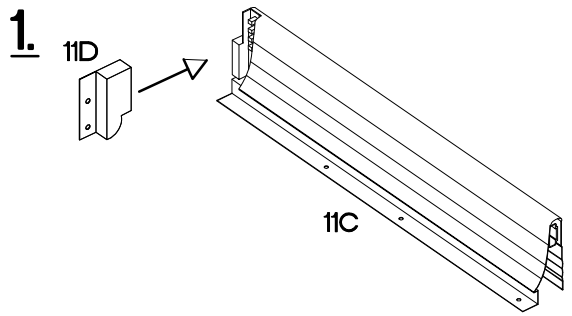
3. F16
- 

4. F16

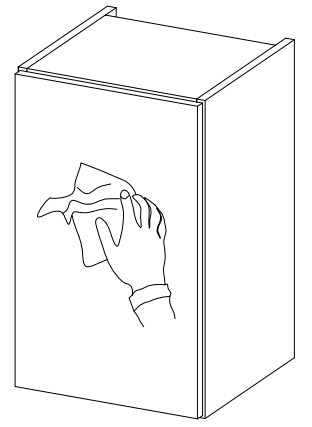
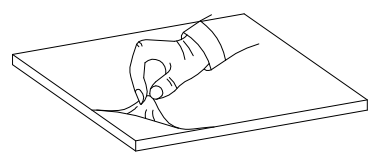
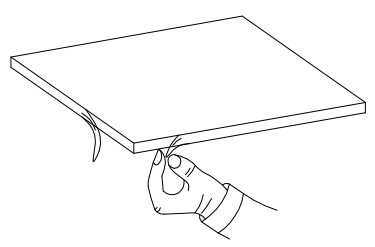
|   |  |  |
|---|--|--|
| <br>11A | <br>M3 | <br>P1 |
| 1   | 4  | 4  |



|     |     |     |    |    |     |
|-----|-----|-----|----|----|-----|
|     |     |     |    |    |     |
| 11D | 11C | 11E | P1 | P5 | 11G |
| 1   | 1   | 2   | 4  | 8  | 2   |

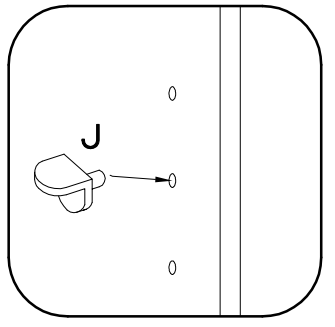
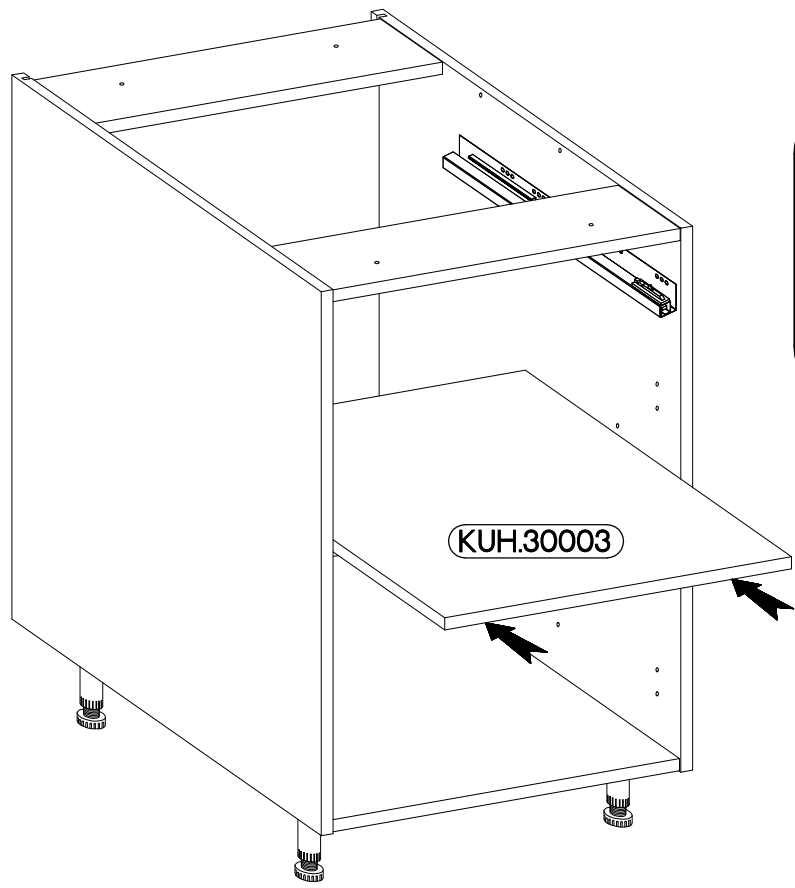


VARIANT HIGH GLOSS



10

±5/19mm  
J  
4



11

FRONT

